

# WIRE COLOUR NAMING CONVENTION

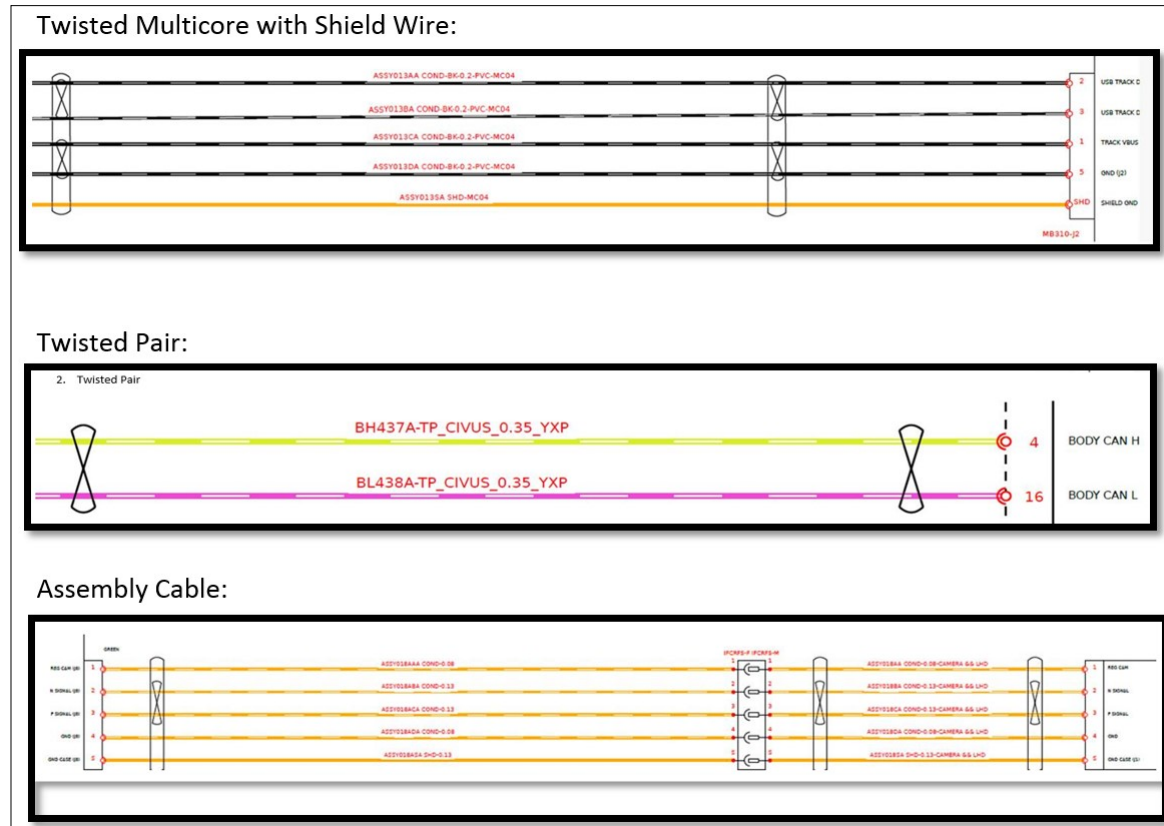
CODE	COLOUR	CODE	CLOUR
BLK	BLACK	PUR/ORG	PURPLE/ORANGE
BLU	BLUE	PUR/YEL	PURPLE/YELLOW
BLU/RED	BLUE/RED	RED	RED
BRN/ORG	BROWN/ORANGE	RED/BLU	RED/BLUE
BRN/WHT	BROWN/WHITE	RED/WHT	RED/WHITE
GRN	GREEN	TAN	TAN
GRN/WHITE	GREEN/WHITE	WHT	WHITE
GRY	GREY	YEL	YELLOW
GRY/BLK	GREY/BLACK	YEL/BLK	YELLOW/BLACK
GRY/WHT	GREY/WHITE	YEL/BLU	YELLOW/BLUE
ORG	ORANGE	YEL/BRN	YELLOW/BROWN
ORG/GRN	ORANGE/GREEN	YEL/GRN	YELLOW/GREEN
PNK	PINK	YEL/ORG	YELLOW/ORANGE
PUR	PURPLE	YEL/RED	YELLOW/RED

# INDEX

SR NO	CIRCUIT DIAGRAM	SHEET NO
1	STARTING / CHARGING SYSTEM	2
2	POWER DISTRIBUTION	3
3	SEAT/DIFF RELAY/DUMP/4WD	4
4	ENGINE ELECTRICAL/GAUGES	5
5	LIGHTING	6

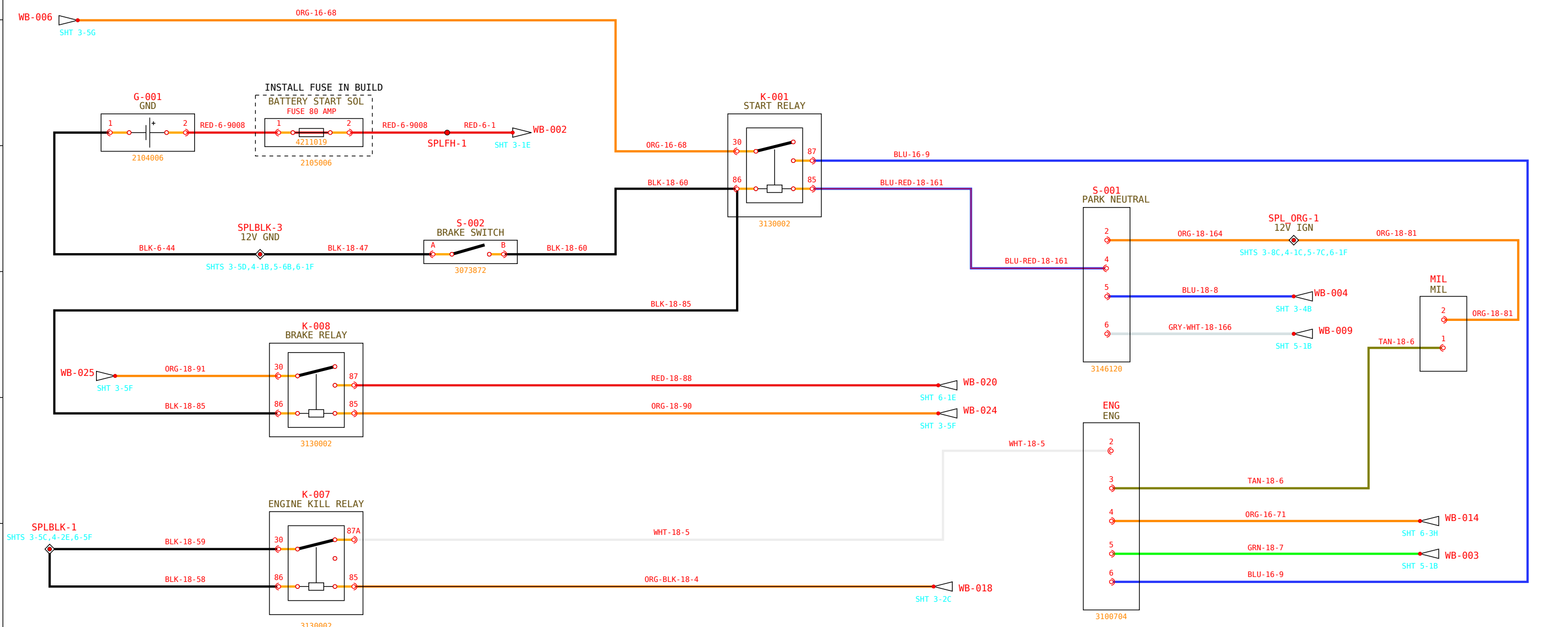
# COMPONENT PREFIX & ID SERIES

PREFIX	DESCRIPTION	EXAMPLE
G	BATTERY / ALTERNATOR	G-001
A	MODULES / CONTROLLER	A-001
B	SENSORS	B-001
L	LAMPS / LEDS	L-001 / LED-001
M	MOTORS	M-001
Y	SOLENOIDS	Y-001
R	RESISTORS	R-001
S	SWITCHES	S-001
X	INLINE CONNECTORS	X-001M / X-001F
X	COMPONENT CONNECTORS	X-001
X	TERMINALS	X-001
K	RELAY	K-001
SPL	SPLICE	SPL-001



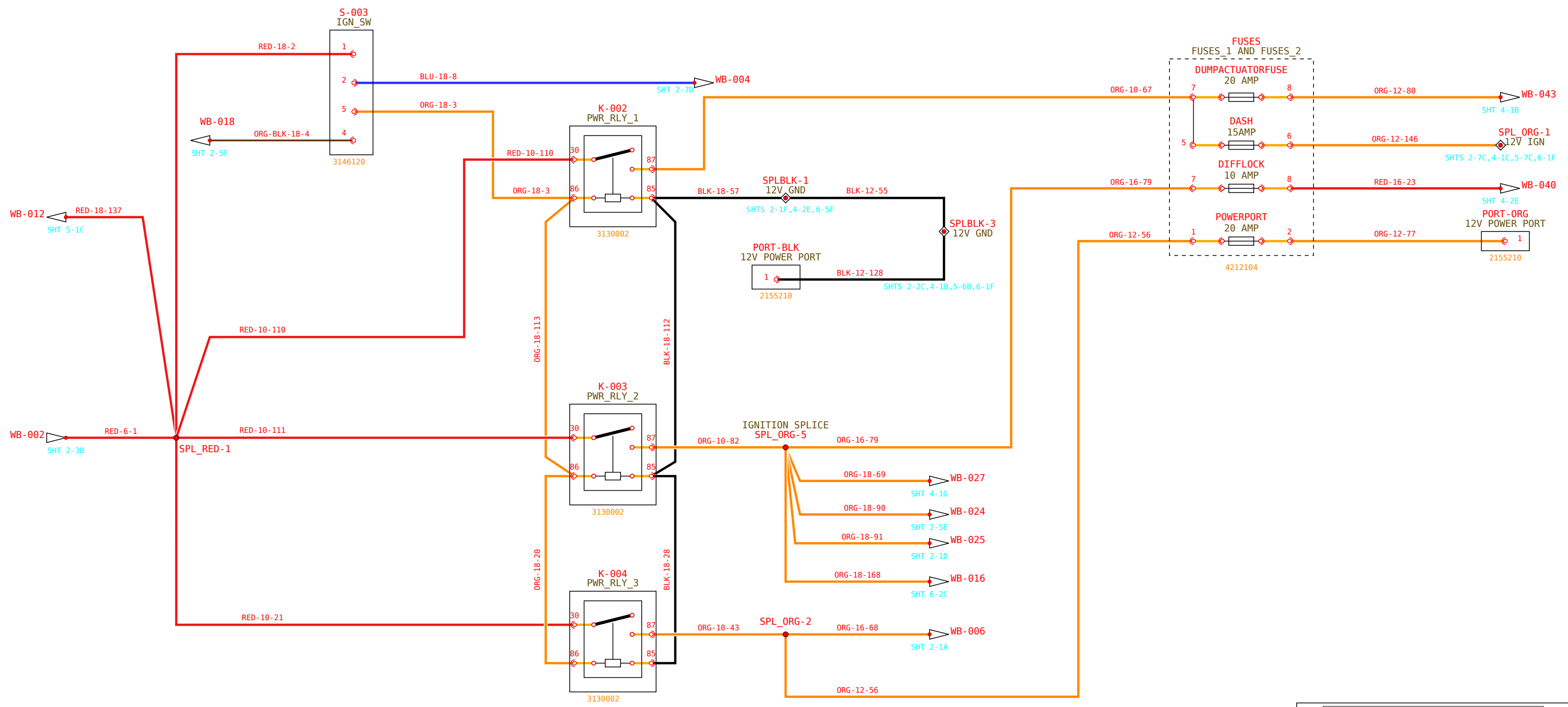
Customer: Electrex	
Cust. P/N: 786-2011-00 18	Rev:NA
DWG Title: 750CC GAS CREW	SIZE:B
Our P/N: 9369053	Pg:1 Of:6
Date: 2018-02-12	VCN: XXX
Modified By: prajakta	

# STARTING/CHARGING SYSTEM



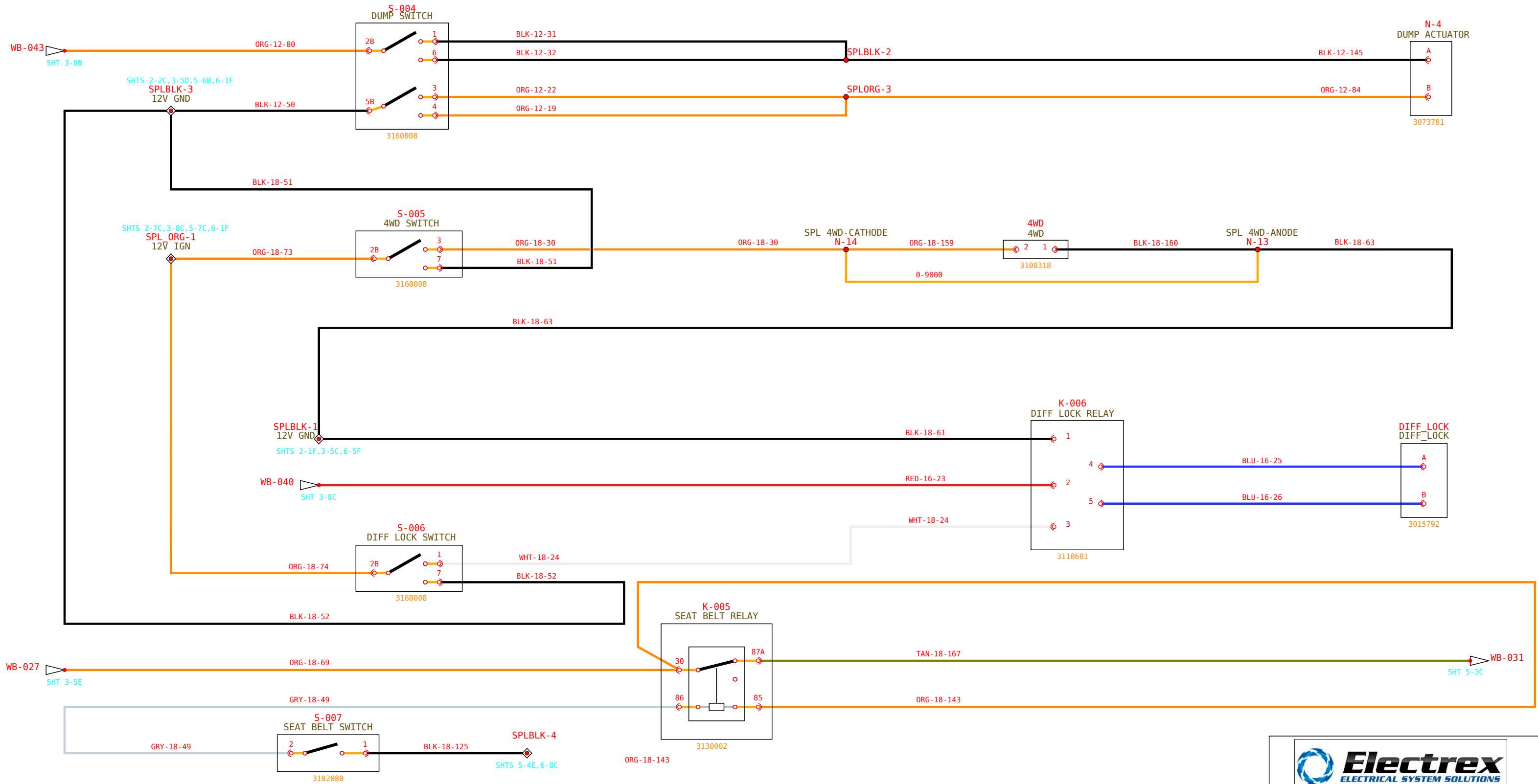
Customer: Electrex	
Cust. P/N: 786-2011-00 18	Rev:NA
DWG Title: 750CC GAS CREW	SIZE:B
Our P/N: 9369053	Pg:2 Of:6
Date: 2018-02-12	VCN: XXX
Modified By: prajakta	

# POWER DISTRIBUTION



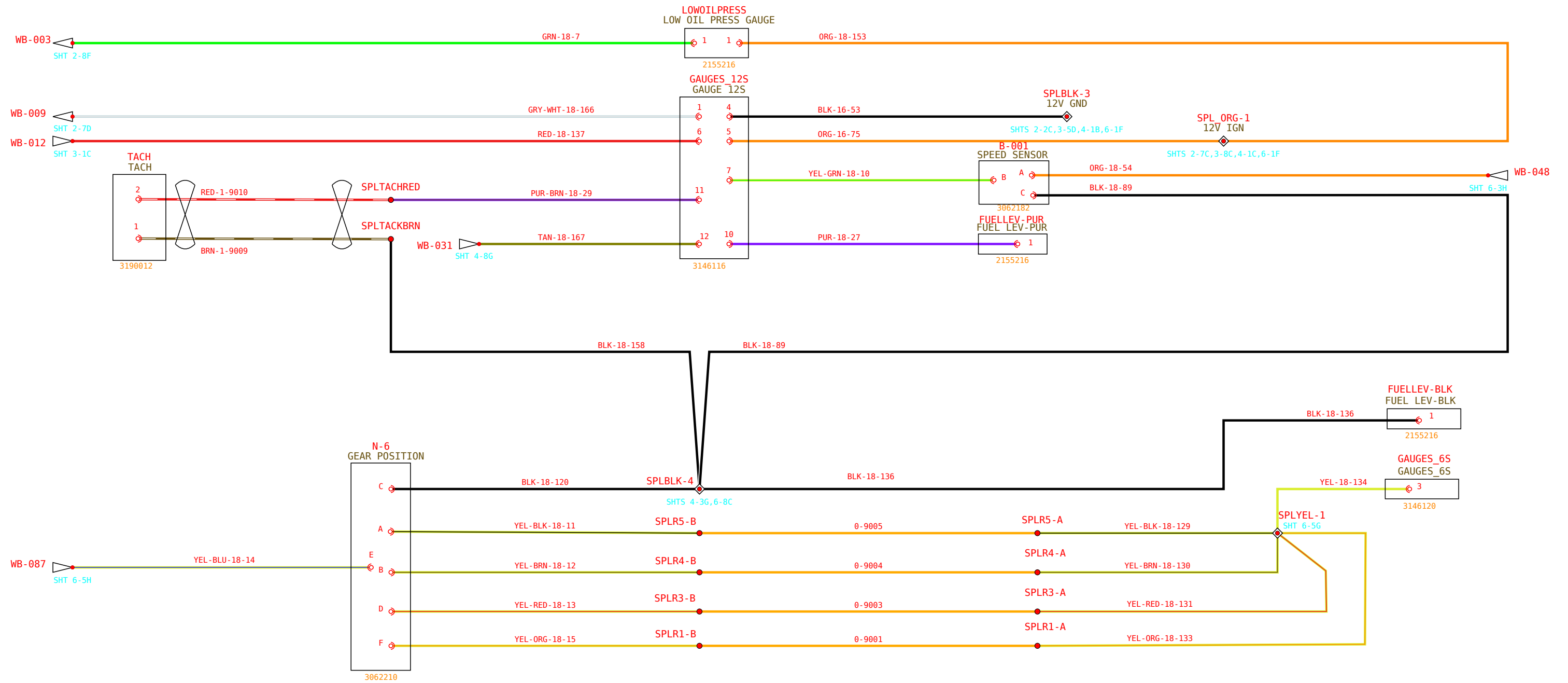
Customer: Electrex	
Cust. P/N: 786-2011-00 18	Rev:NA
DWG Title: 750CC GAS CREW	SIZE:B
Our P/N: 9369053	Pg:3 Of:6
Date: 2018-02-12 Modified By: prajakta	VCN: XXX

# SEAT/DIFF RELAY/DUMP/4WD



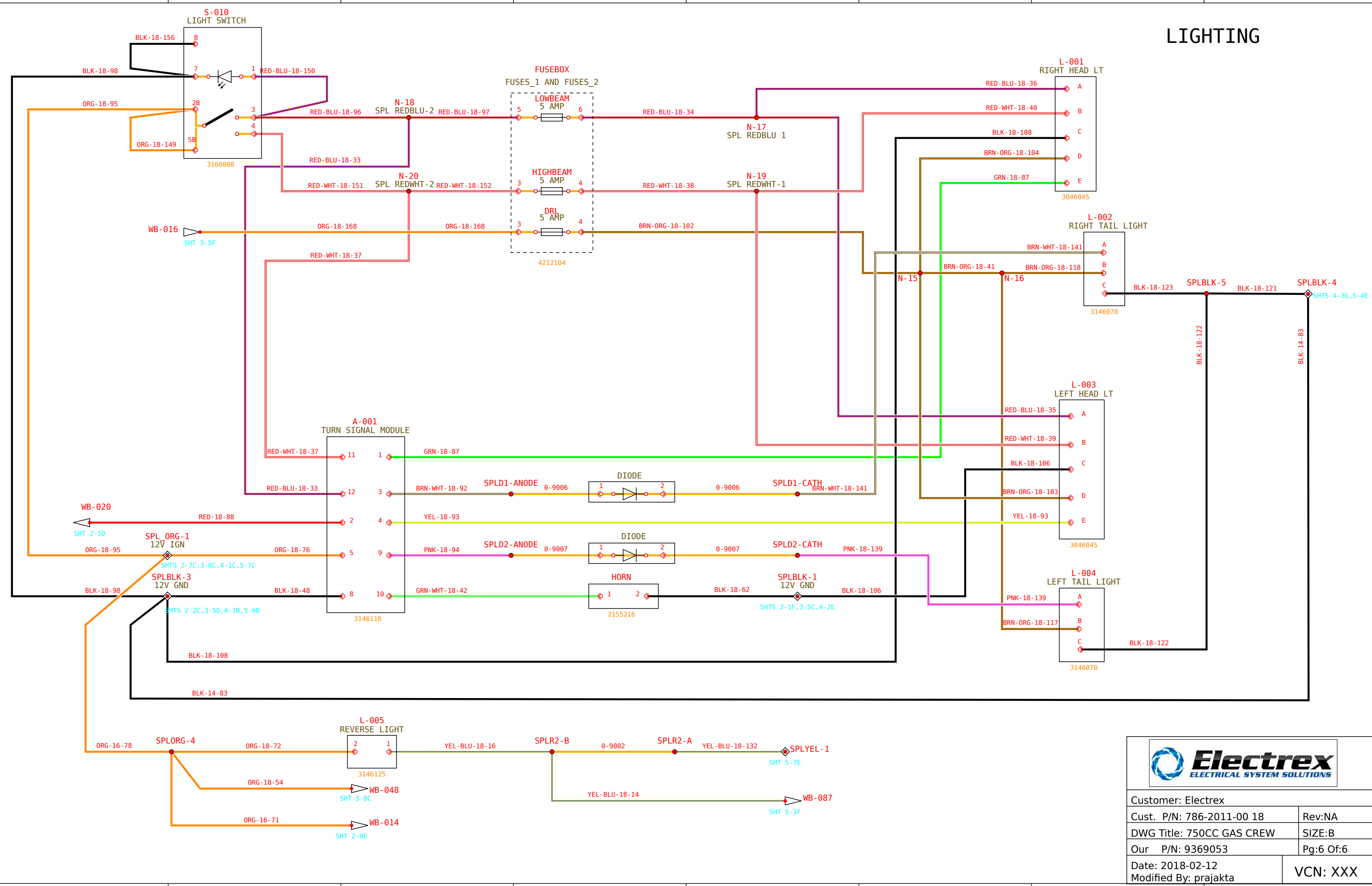
Customer: Electrex	
Cust. P/N: 786-2011-00 18	Rev:NA
DWG Title: 750CC GAS CREW	SIZE:B
Our P/N: 9369053	Pg:4 Of:6
Date: 2018-02-12 Modified By: prajakta	VCN: XXX

# ENGINE ELECTRICAL/GAUGES



Customer: Electrex	
Cust. P/N: 786-2011-00 18	Rev:NA
DWG Title: 750CC GAS CREW	SIZE:B
Our P/N: 9369053	Pg:5 Of:6
Date: 2018-02-12 Modified By: prajakta	VCN: XXX

# LIGHTING



Customer: Electrex	
Cust. P/N: 786-2011-00 18	Rev:NA
DWG Title: 750CC GAS CREW	SIZE:B
Our P/N: 9369053	Pg:6 Of:6
Date: 2018-02-12	VCN: XXX
Modified By: prajakta	