

INDEX

PAGE #	WIRING CIRCUIT
1	INDEX/REFERENCE PAGE
2	BATT 48V/IGN 48V
3	IGN 12V CONVERTER 1
4	LIGHTING
5	IGN 12V CONVERTER 1

WIRE COLORS

CODE	COLOR
BLK	BLACK
BLU	BLUE
BRN	BROWN
GRN	GREEN
GRY	GRAY
LBLU	LIGHT BLUE
LGRN	LIGHT GREEN
ORG	ORANGE
PNK	PINK
PUR	PURPLE
RED	RED
TAN	TAN
WHT	WHITE
YEL	YELLOW

WIRES WITH STRIPES USE / TO SEPERATE COLORS
 EXAMPLE: GRN/YEL IS A GREEN WIRE WITH YELLOW STRIPE

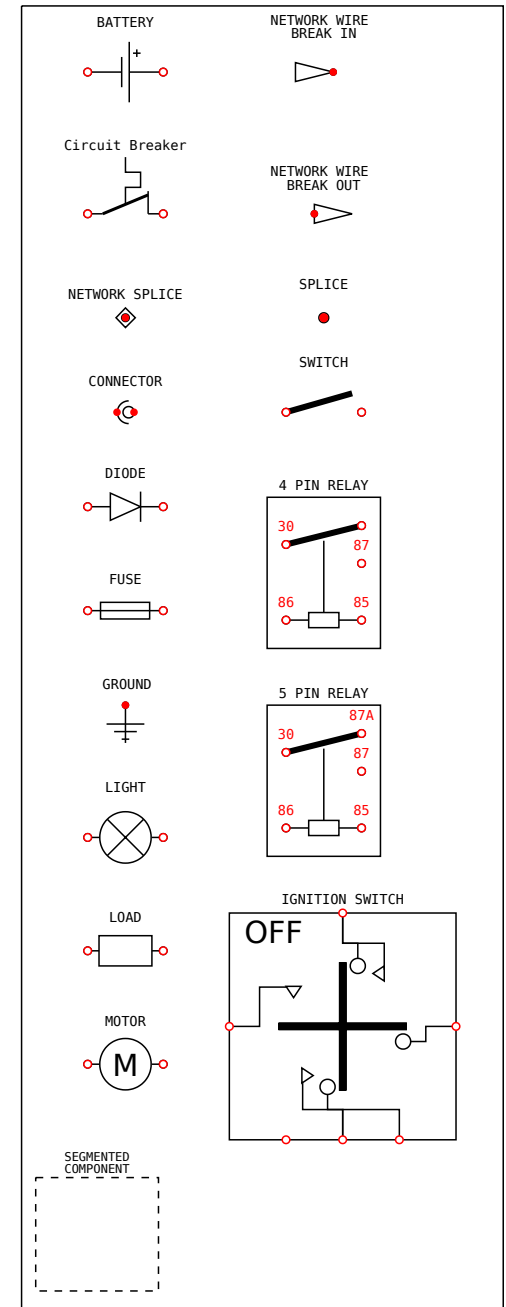
COMPONENT DESCRIPTION

COMPONENT	DESCRIPTION
SPLICE	WHERE MULTIPLE WIRES ARE JOINED TOGETHER
NETWORK SPLICE	SHOWS THE SAME SPLICE REPRESENTED ON MULTIPLE PAGES
NETWORK WIRE BREAK OUT	INDICATES THAT THE WIRE RUNS TO ANOTHER PAGE AND GIVES LOCATION
NETWORK WIRE BREAK IN	INDICATES THAT THE WIRE COMES FROM ANOTHER PAGE AND GIVES LOCATION

NETWORK SPLICES WILL DISPLAY
 THE PAGE AND ZONE OF THE OTHER SEGMENTS OF THE NETWORK SPLICE.

2/D2 - 3/A1 MEAN THE SAME SPLICE IS SHOWN
 ON PAGE 2 ZONE D2 AND PAGE 3 ZONE A1

COMPONENT KEY



Property of Electrex, Inc.
 Drawing & information therein may
 only be used as authorized.
 6 N. Walnut St.
 Hutchinson, KS 67501
 Ph.: 620-669-9966
 www.electrexinc.com



Length Tolerances
 *Unless otherwise specified

Less than 6.0	+0.50/-0.25
6.0 to 36.0	+1.00/-0.50
36.0 to 72.0	+2.00/-1.00
72.0 +	+3.0%/-1.5%

Cust:INTIMIDATOR INC.

Title:2013 Harness

Cust.P/N:786-2016-00

Electrex P/N:93639004

Drawn By:jon

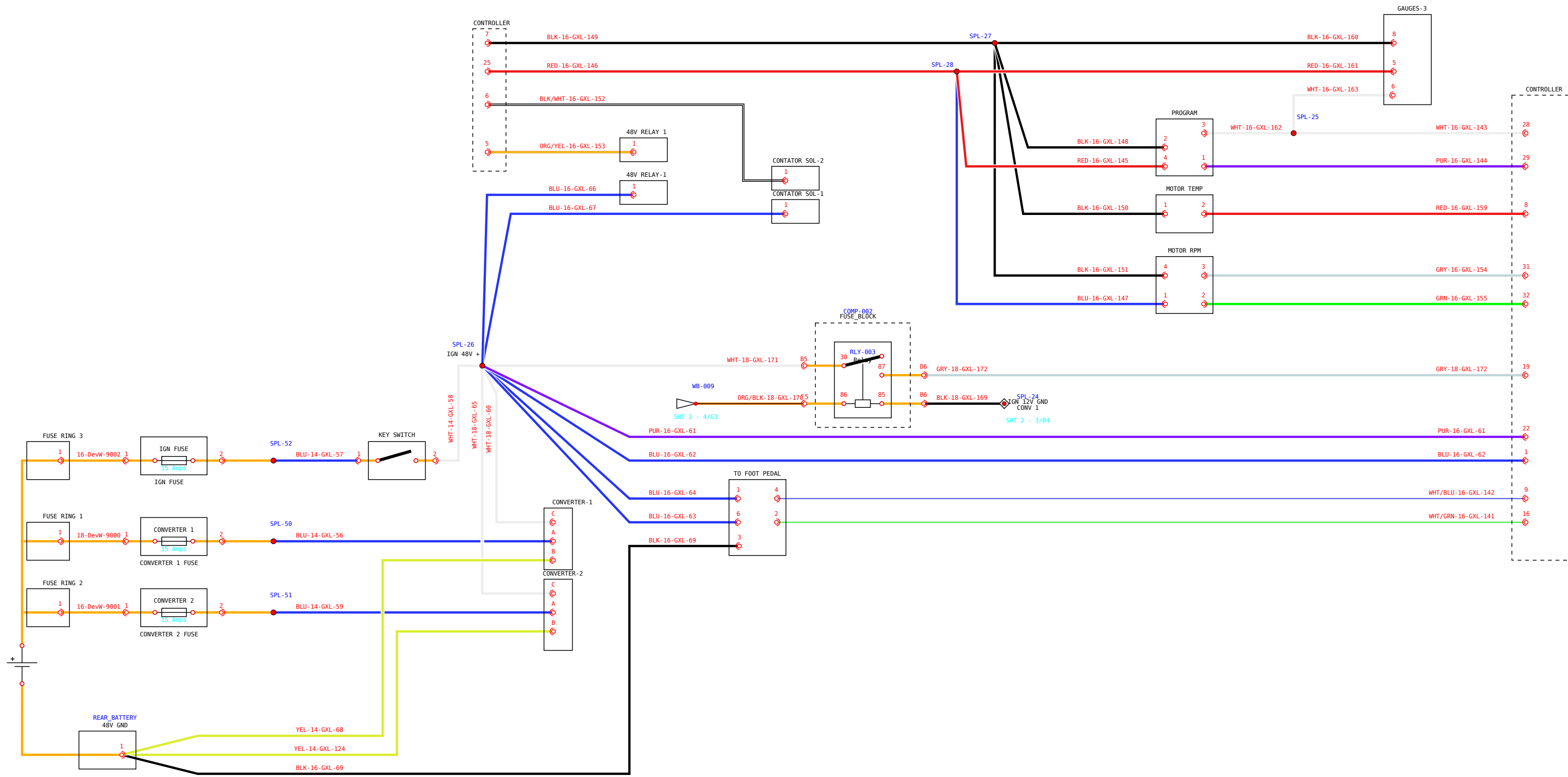
Modified:2018-11-07 By: jon

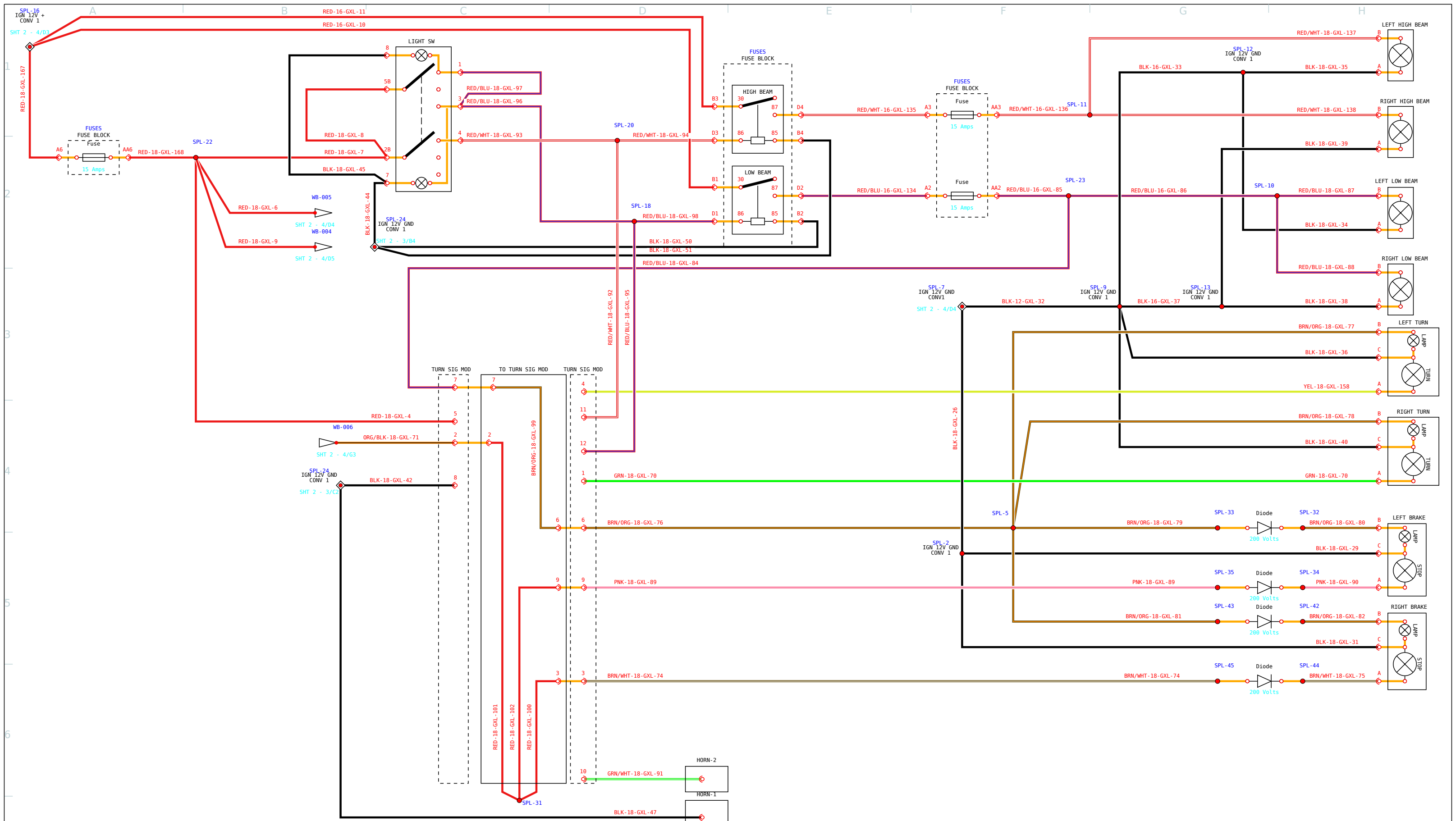
LVL:

REV:K

VCN:001

PG:1 OF 5





Property of Electrex, Inc.
 Drawing & information therein may only be used as authorized.
 6 N. Walnut St.
 Hutchinson, KS 67501
 Ph.: 620-669-9966
 www.electrexinc.com



LIGHTS

Cust:INTIMIDATOR INC.	
Title:2013 Harness	
Cust.P/N:786-2016-00	LVL:
Electrex P/N:93639004	REV:K
Drawn By:jon	VCN:001
Modified:2018-11-07 By: jon	PG:3 OF 5

