

INDEX

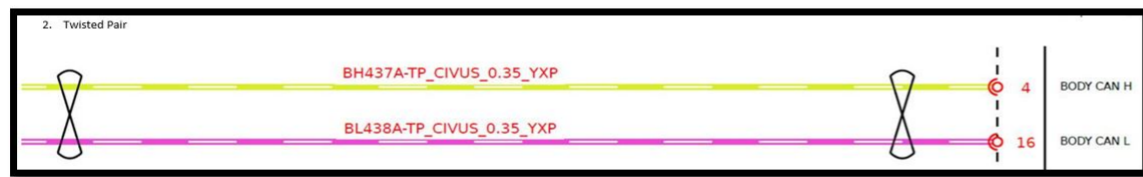
SR.NO	CIRCUIT DIAGRAM	SHEET NO
1	IGNITION & FUSING CIRCUIT	2
2	START/CHARGING/GLOW PLUG MODULE	3
3	SEAT/DIFF/DUMP SWITCH	4
4	ENGINE ELECTRICAL/GAUGES	5
5	LIGHTING CONNECTION	6

WIRE TYPE

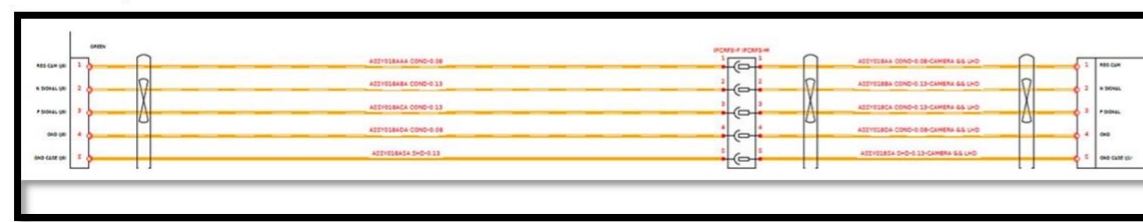
Twisted Multicore with Shield Wire:



Twisted Pair:



Assembly Cable:



WIRE COLOUR NAMING CONVENTION

CODE	COLOUR	CODE	COLOUR
BLK	BLACK	PUR/ORG	PURPLE/ORANGE
BLU	BLUE	PUR/YEL	PURPLE/YELLOW
BLU/RED	BLUE/RED	RED	RED
BRN/ORG	BROWN/ORANGE	RED/BLU	RED/BLUE
BRN/WHT	BROWN/WHITE	RED/WHT	RED/WHITE
GRN	GREEN	TAN	TAN
GRN/WHT	GREEN/WHITE	WHT	WHITE
GRY	GREY	YEL	YELLOW
GRY/BLK	GREY/BLACK	YEL/BLK	YELLOW/BLACK
GRY/WHT	GREY/WHITE	YEL/BLU	YELLOW/BLUE
ORG	ORANGE	YEL/BRN	YELLOW/BROWN
ORG/GRN	ORANGE/GREEN	YEL/GRN	YELLOW/GREEN
PNK	PINK	YEL/ORG	YELLOW/ORANGE
PUR	PURPLE	YEL/RED	YELLOW/RED

COMPONENT PREFIX & ID SERIES

Component Prefix and ID Series		
Prefix	Description	Example
G	BATTERY / ALTERNATOR	G-001
A	MODULES / CONTROLLER	A-001
B	SENSORS	B-001
L	LAMPS / LEDS	L-001 / LED-001
M	MOTORS	M-001
Y	SOLENOIDS	Y-001
R	RESISTORS	R-001
S	SWITCHES	S-001
X	INLINE CONNECTORS	X-001M / X-001F
X	COMPONENT CONNECTORS	X-001
X	TERMINALS	X-001
K	RELAY	K-001
SPL	SPLICE	SPL-001

CADONIX

Customer: Electrex

Cust. P/N: 786-2013-00 18

Rev:NR

DWG Title: Electrical Schematics

NSIZE:B

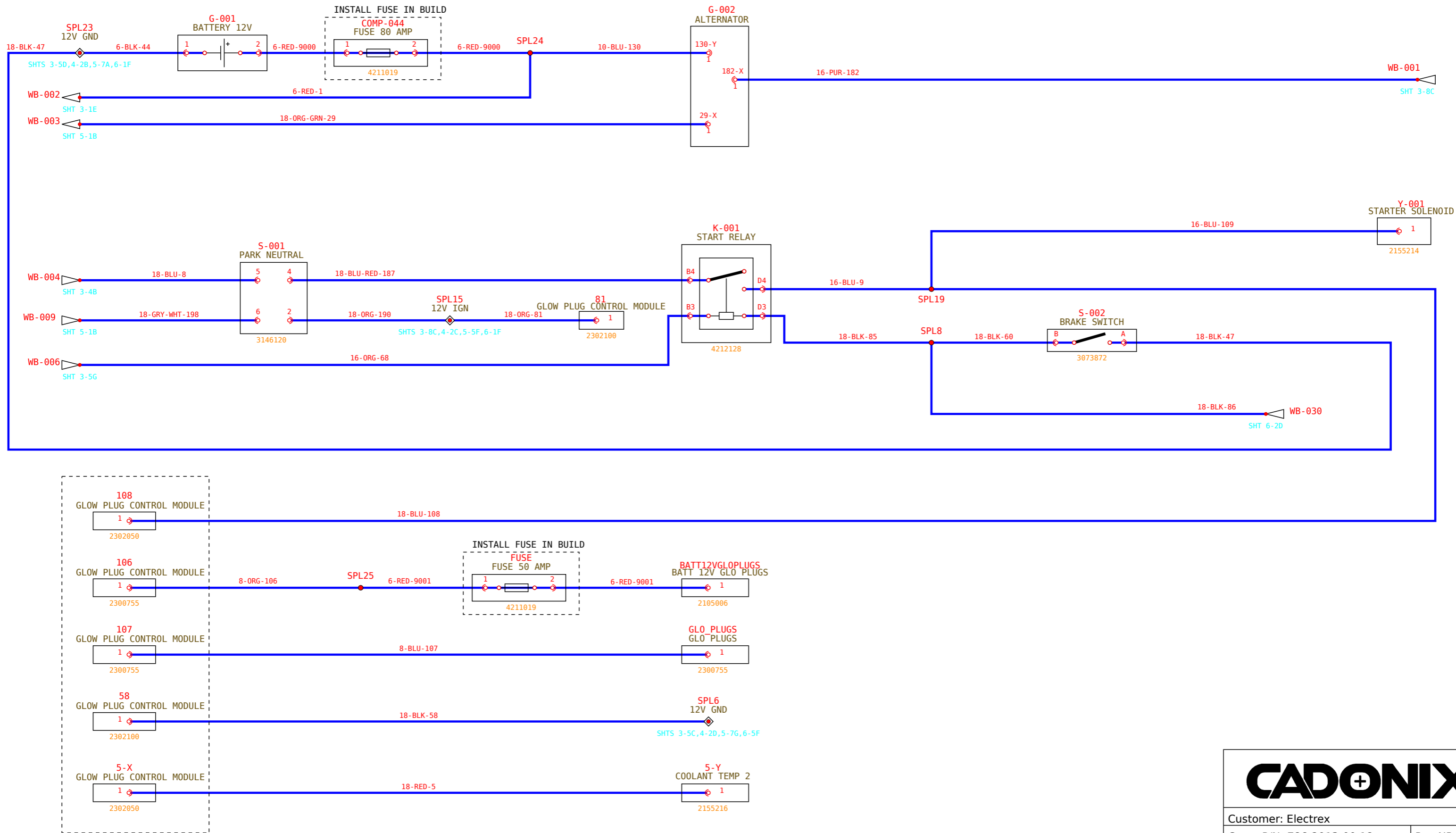
Our P/N: NA

Pg:1 Of:6

Date: 2018-01-10

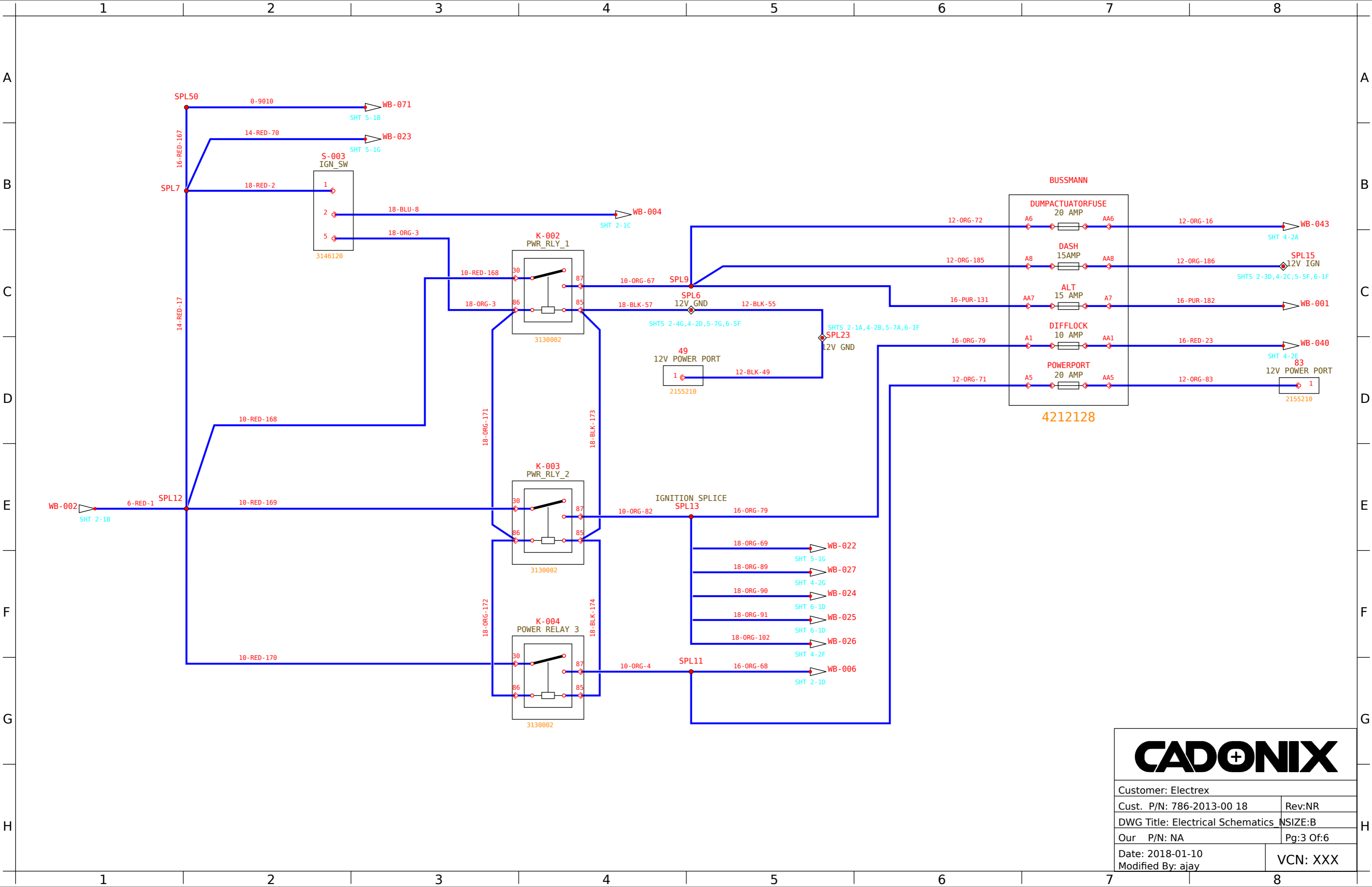
Modified By: ajay

VCN: XXX



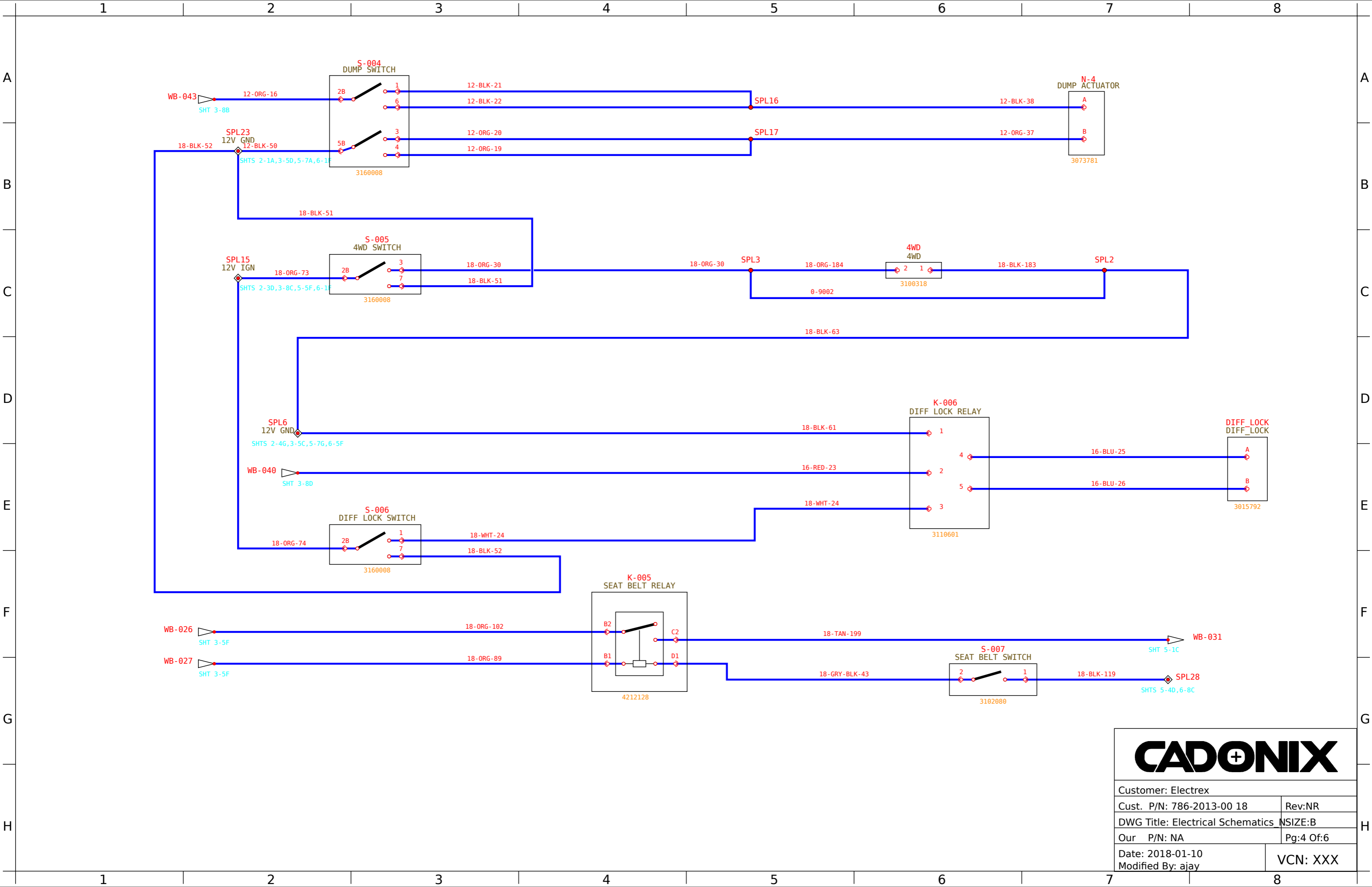
CADONIX

Customer: Electrex	
Cust. P/N: 786-2013-00 18	Rev:NR
DWG Title: Electrical Schematics	
Our P/N: NA	Pg:2 Of:6
Date: 2018-01-10	VCN: XXX
Modified By: ajay	



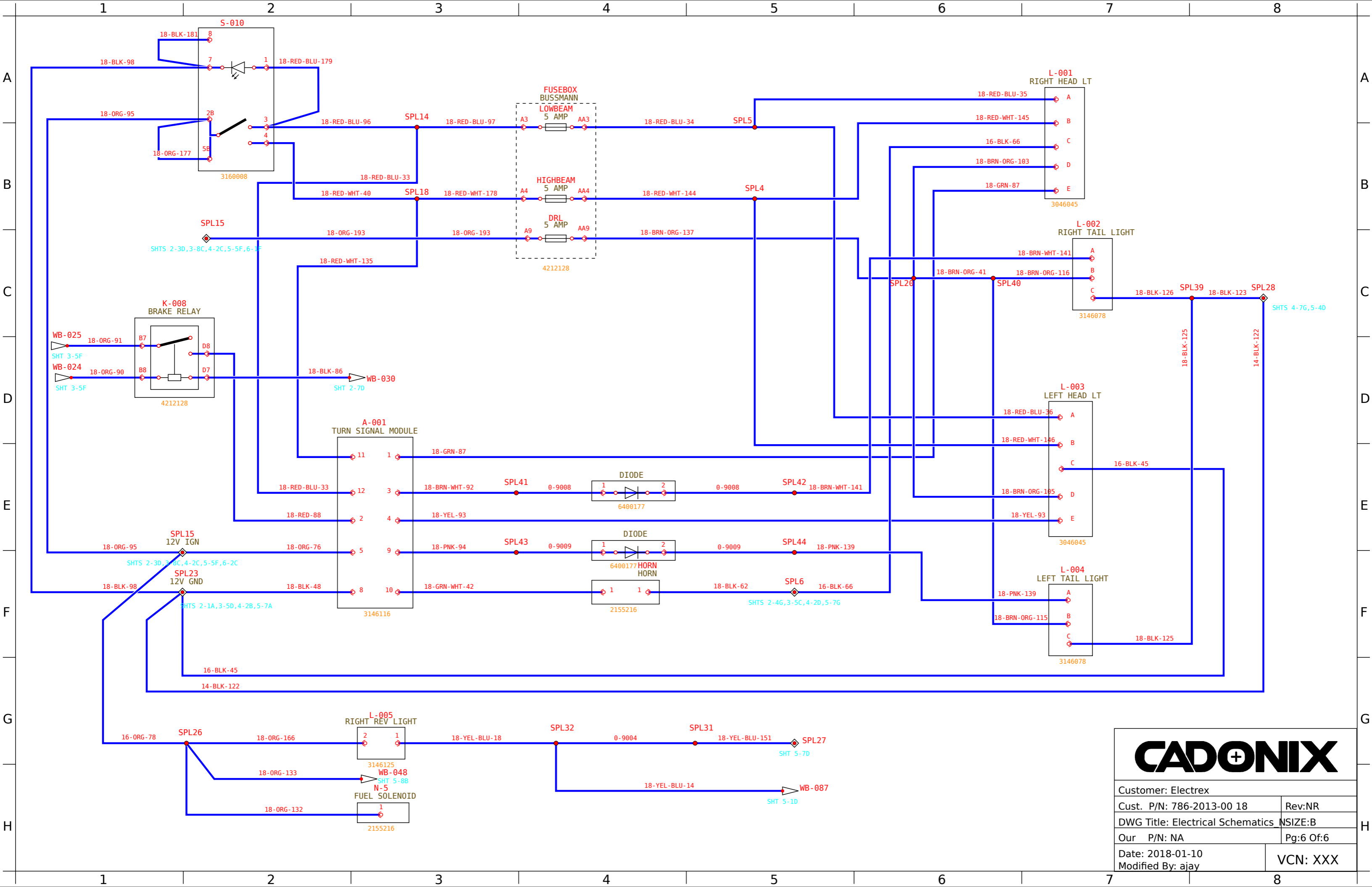
CADONIX

Customer: Electrex	
Cust. P/N: 786-2013-00 18	Rev:NR
DWG Title: Electrical Schematics NSIZE:B	
Our P/N: NA	Pg:3 Of:6
Date: 2018-01-10	VCN: XXX
Modified By: ajay	



CADONIX

Customer: Electrex	
Cust. P/N: 786-2013-00 18	Rev:NR
DWG Title: Electrical Schematics NSIZE:B	
Our P/N: NA	Pg:4 Of:6
Date: 2018-01-10	VCN: XXX
Modified By: ajay	



CADONIX

Customer: Electrex	
Cust. P/N: 786-2013-00 18	Rev:NR
DWG Title: Electrical Schematics	
Our P/N: NA	SIZE:B
Date: 2018-01-10	Pg:6 Of:6
Modified By: ajay	VCN: XXX